

**Internal tank cleaner with compressed air drive**

- Cleaning head R55
- 360° spray coverage
- Variable shaft lengths
- Compressed air drive
- Speed 10-20 rpm
- maximum 250 bar
- Maximum 50 liters/minute
- Installation opening > ø60 mm
- INOX 1.4301 / VITON



**General description**




The AR55.STD tank cleaner consists of a cleaning head, a compressed air drive and a connecting pipe. The container cleaner is designed in such a way that the spray head is set in rotation by the drive motor. There is a gearing on the spray head which engages with a fixed gearing on the connecting pipe. This sets the spray head itself into an additional rotational movement offset by 90°. Due to the rotation in two axes, the nozzles rotate in a spherical shape, whereby all areas in the container are hit once by the water spray after a certain time.

This modular design means that the individual elements can be replaced and quickly put back into operation if servicing is required.

**Product features**

- Functionality**
  - Rotation of cleaning head and cleaning nozzles achieves 360° spray coverage
- Adjustability**
  - The rotation speed can be adjusted by means of a variable compressed air supply
  - Container cleaner can be used for different container sizes thanks to pipe extension
- Functional safety**
  - Designed for durability and easy to maintain
  - ATEX certified
- Variants**
  - Stepped shaft lengths from 500 mm to 4000 mm are possible
  - Other shaft lengths on request

**Technical data**

<b>Drive</b>	Compressed air drive	
	Operating pressure	6.3 bar
	Air consumption	7.8 l/s
	Operating noise	77 dbA
<b>Hydraulic data</b>	Minimum pressure	100 bar
	Maximum pressure	250 bar
	Minimum flow rate	10 l/min
	Maximum flow rate	50 l/min
	Spray cover	360°
	Maximum temperature	120 °C
	Connection	G3/8" / G1/2" / M22x1.5 / M24x1.5
	Nozzles	2 pieces 0° / 5° / 15° 1/8"
<b>Mechanical data</b>	Speed	10 - 20 revolutions/minute
	Cycle complete	Depending on the speed and soiling
<b>Material</b>	Cleaning head	1.4301 INOX
	Connecting tube	1.4301 INOX
	Motor	1.4301 INOX
	Seals	FPM Viton / EPDM / FDA
<b>Installation data</b>	Installation opening	larger Ø60 mm larger than Ø75 mm Automatic retraction/extension
<b>Approvals</b>	ATEX 2014/34/EU	 II 2 G Ex h IIC T6 ... T1 Gb II 2 D Ex h IIIC T40 °C ... T90 °C Db

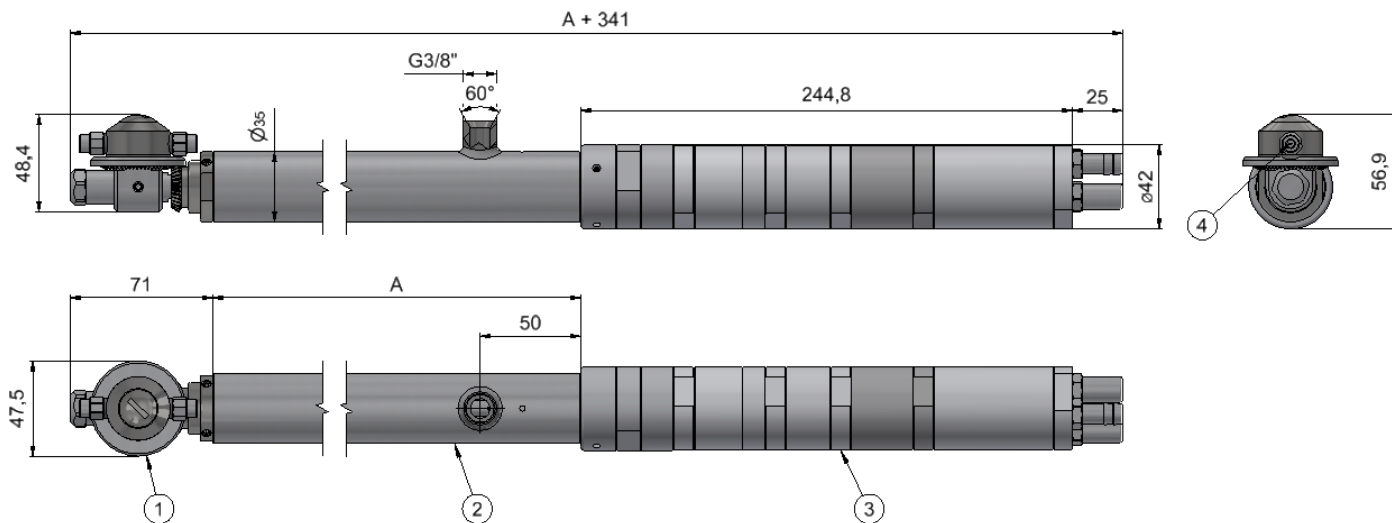
**Safety instructions**


- This container interior cleaner is exclusively suitable for cleaning the interior of production, storage and transport containers that can be treated with a high-pressure water spray with cleaning solution.
- The appliance is only intended for use with fresh water and cleaning agents expressly approved by the manufacturer (see [www.moog.ch](http://www.moog.ch)). Always comply with the operating conditions and performance limits specified in the technical data sheet.
- This appliance is a technical tool and is not intended for private use. Proper transportation and storage are also prerequisites for its intended use.

**Installation instructions**

- Maintenance** Clean the nozzles with compressed air or with a very thin metal rod if they are clogged with dirt. If necessary, replace the nozzles with similar nozzles with identical nozzle openings.
- The filter screen in the inlet of the water-hydraulic drive must be cleaned regularly depending on the degree of soiling of the cleaning medium. A damaged filter screen must be replaced.
- On delivery, the speed of the drive is adjusted to the output of the high-pressure supply used according to customer requirements. This can be changed using the three flow control nozzles.
- The maintenance intervals vary depending on the duration of use, pressure range, media temperature and cleaning agent used. These must be determined individually during trial operation. The operator is responsible for adhering to the maintenance intervals.
- Maintenance must be carried out approximately every 300 operating hours and all seals must be replaced.
- The ball bearings must be replaced with original bearings after 2000 operating hours at the latest.

Components



Positions	
Pos.	Component
1	Spray head combination S-R-55
2	Connecting tube Ø35 mm
3	VITON water drive
4	Nozzle cleaning head R55

Length / longueur / length			
No.	A	No.	A
AR-55-0500	500mm	AR-55-2000	2000mm
AR-55-0700	700mm	AR-55-3000	3000mm
AR-55-1000	1000mm	AR-55-4000	4000mm
AR-55-1500	1500mm		

Accessories

**Accessories** Contact Sales +41 31 838 19 19  
info@moog.ch

Documentations

- Further documentation**
- Operating instructions
  - Spare parts overview
  - Spare parts price list
  - Certificates
  - Declaration of conformity